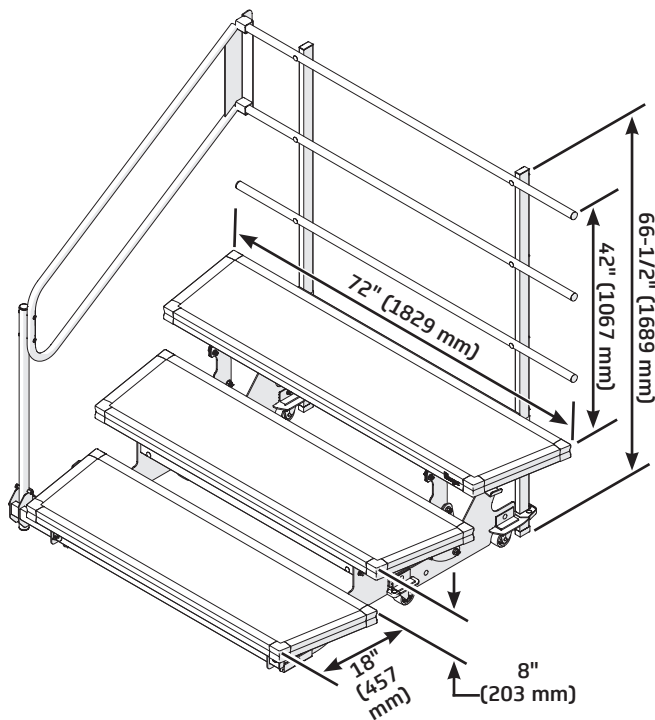
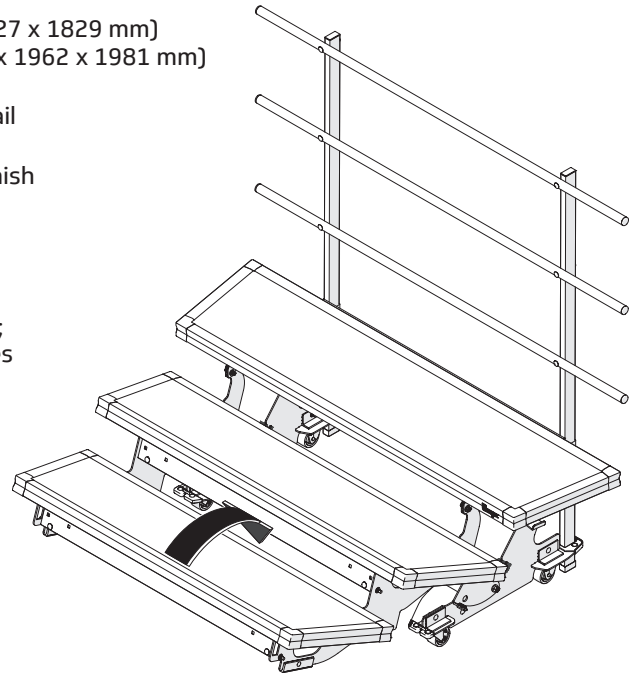
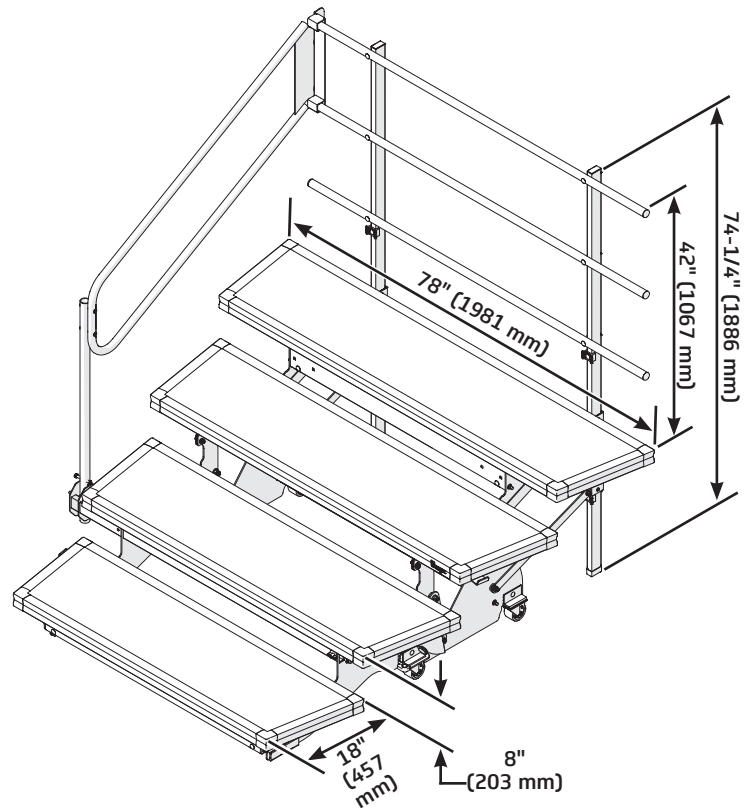


# Signature® Choral Risers

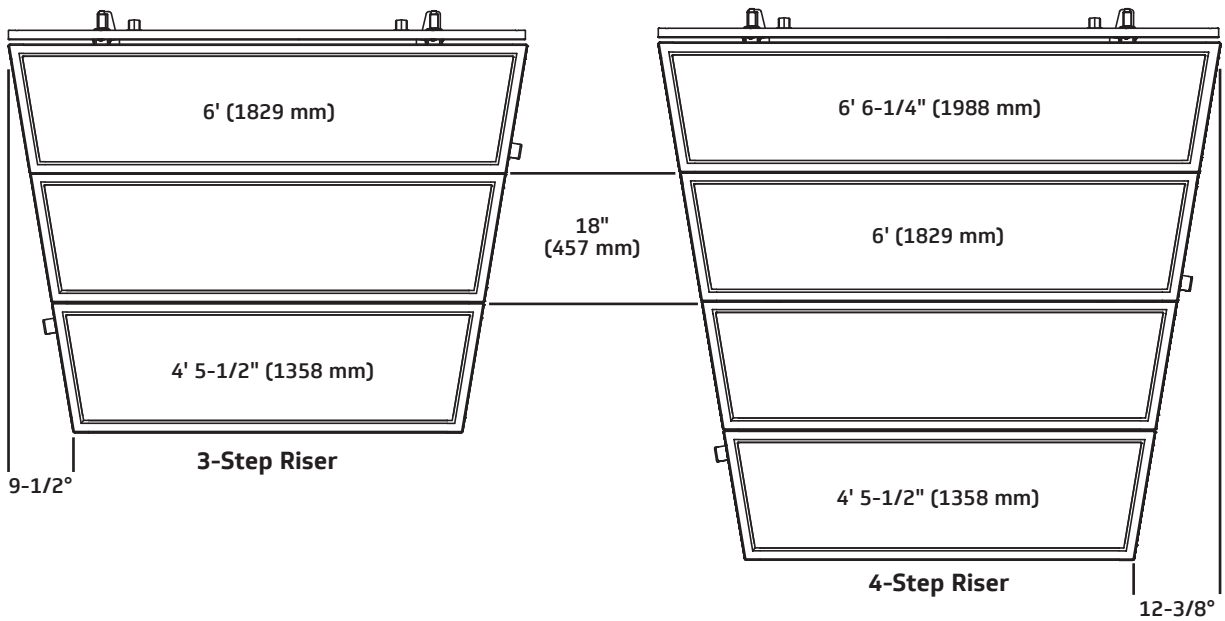
- 3-Step 098H053 232 lb (105 kg)  
4-Step 098H054 320 lb (145 kg)
- Load rating of 150 lb live load capacity per ft<sup>2</sup> (732 kg capacity per m<sup>2</sup>)
- Steel construction for unparalleled stability and quiet performance
- Portable units are designed for one-person mobility and setup
- 3-Step riser storage depth is 31" deep x 68" high x 72" wide (787 x 1727 x 1829 mm)  
4-Step riser storage depth is 31" deep x 77-1/4" high x 78" wide (787 x 1962 x 1981 mm)  
Nesting of additional units reduces storage depth
- Both the 3-Step and 4-Step models have a 42" (1067 mm) high back rail that meets OSHA standards; risers fold with the back rail attached
- Riser frame, back rails and side rails have a black powder-coat paint finish for maximum safety and durability
- Steps are 18" (457 mm) deep and the rise of each step is 8" (203 mm); steps are covered with manufacturer's standard grey carpet
- Built-in reversibility allows for straight or semi-circular configuration
- Designed for in-facility use and easily fits through standard doorways; units have built-in swivel action wheels for maneuvering in tight spaces
- Optional side rail accessory (set of 2) 098G541 62 lb (28 kg) attaches to the riser and back rail; side rail can be removed with the mounting brackets left attached during storage
- Assembly is required, approximate assembly time is 45 minutes for the first unit and 30 minutes for each additional unit; assembly videos are available at [www.wengercorp.com](http://www.wengercorp.com)
- Fifteen-year warranty
- Patented design



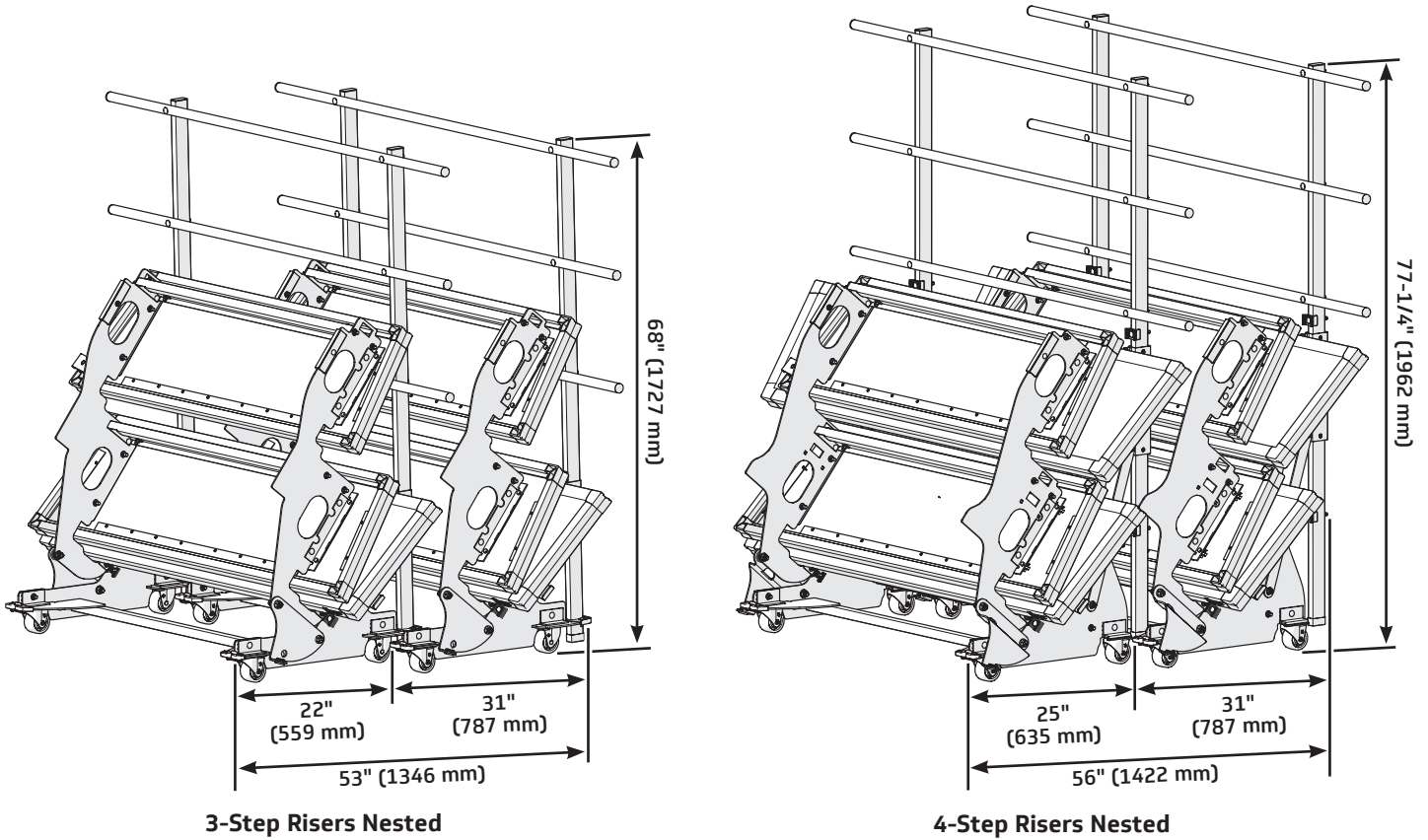
**3-Step Riser with Optional Side Rail**



**4-Step Riser with Optional Side Rail**



Risers nest together in the storage position, minimizing required storage space.



© 2024 Wenger Corporation  
USA/2024-04

**Minnesota Location**

Wenger Phone 800.4WENGER (493-6437) Wenger Worldwide +1.507.455.4100 | Parts & Service 800.887.7145 | wengercorp.com  
GearBoss Phone 800.493.6437 | gearboss.com  
555 Park Drive, PO Box 448 | Owatonna | MN 55060

**New York Location**

J.R. Clancy Phone 800.836.1885 JR Clancy Worldwide +1.315.451.3440 | jrclancy.com | 7041 Interstate Island Road | Syracuse | NY 13209